

**DALLAS 30W UGR LED BACKLIT, 600X600MM, LOW FLICKER, WHITE, 4000K, C/W SEISMIC STRAP, FLEX AND PLUG**

**RDL30406060UGR-01**

**PLEASE READ INSTRUCTION BEFORE COMMENCING INSTALLATION AND RETAIN FOR FUTURE REFERENCES.**

**! Electrical products can cause death or injury, or damage to property. If in any doubt about the installation or use of this product, consult a competent electrician**

**Note:**

**Product technical information and specification may change over time without prior notification. For the latest technical information please visit our web site [www.robus.com.au](http://www.robus.com.au) and [www.robusled.co.nz](http://www.robusled.co.nz)**

-20°C < Ta < +40°C, 220-240V~50/60Hz, Class II, IP20

Driver is non-dimmable.

Suitable for mounting on a normally flammable surface.

Driver must never be "hot-plugged" or connected to the fitting when live.

Doing this may damage the fitting and will void the warranty.

### Installation

1. Ensure mains supply is switched off before commencing work.
2. Remove 600 x 600mm tile from ceiling.
3. Ensure the area above the fitting is free from obstacle pipes cable tray etc.
4. Fix the metal plate onto the back of LED panel using the screws provided.
5. Attach wire with clip to triangle hook and attach to solid ceiling structure so that when installed LED panel is secure.
6. Connect plug to AC supply socket.
7. Ensure the connections going to and from the driver are secure.
8. Place connector, drivers and cable into the ceiling void.
9. Offer luminaire up to the ceiling void and manoeuvre into final position similar to standard ceiling tile.

This product has no user serviceable parts. If any part is damaged, disconnect from mains and discontinue use.

### Safety Instructions:

#### Warning:

Luminaire marked as NON-IC according to AS/NZS60598-2.2. Not suitable for use on residential properties.

DO NOT COVER OR ABUT. Any insulation material must be positioned at a minimum distance of 100 mm from the fitting.

#### Caution:

Recessed Luminaires may pose an increased risk of fire or property damage if not installed according to the instructions provided.

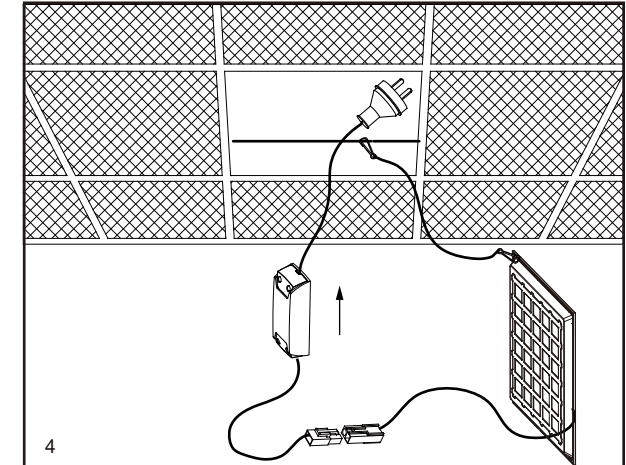
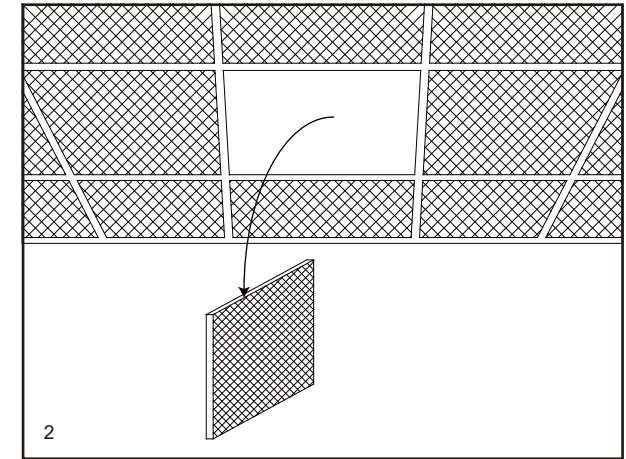
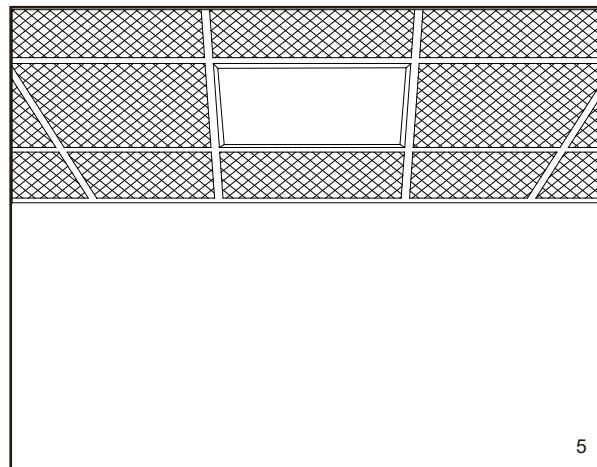
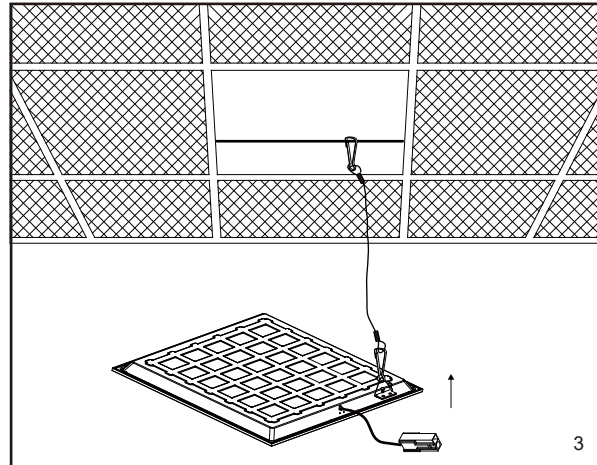
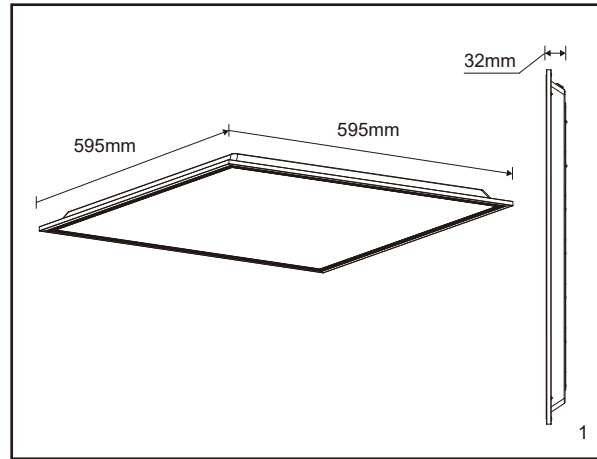
**The Installation must be carried out by a qualified electrician**

LED Group Australia Pty Limited  
Suite B, 2 Pittwin Road  
Capalaba  
Queensland 4157  
Australia

Tel: 07 3890 5444  
Fax: 07 3890 4777  
Email: [purchases@robus.com](mailto:purchases@robus.com)  
Website: [www.robus.com.au](http://www.robus.com.au)

LED Group  
Crowe Hogwarth  
72 Trafalgar Square  
NELSON 7010  
New Zealand

Tel: +64 3668 5285  
Email: [nz\\_purchases@robus.com](mailto:nz_purchases@robus.com)  
Website: [www.robusled.co.nz](http://www.robusled.co.nz)



**DANGER - RISK OF FIRE**  
- Shall not be installed in residential premises  
**SCI = 100mm MIC = 100mm**  
**SCB = 50mm HCB = 25mm**

