

## BARON 20W/40W LED BATTEN, IP20, CCT SELECTABLE 3000K, 4500K, 6500K

### RBN2006CCT3-01, RBN4012CCT3-01

**PLEASE READ INSTRUCTION BEFORE COMMENCING INSTALLATION AND RETAIN FOR FUTURE REFERENCE.**

**! Electrical products can cause death or injury, or damage to property. If in any doubt about the installation or use of this product, consult a competent electrician**

**Note:**

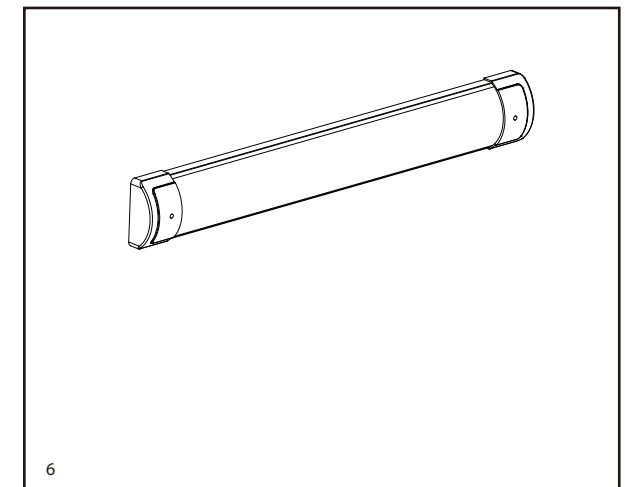
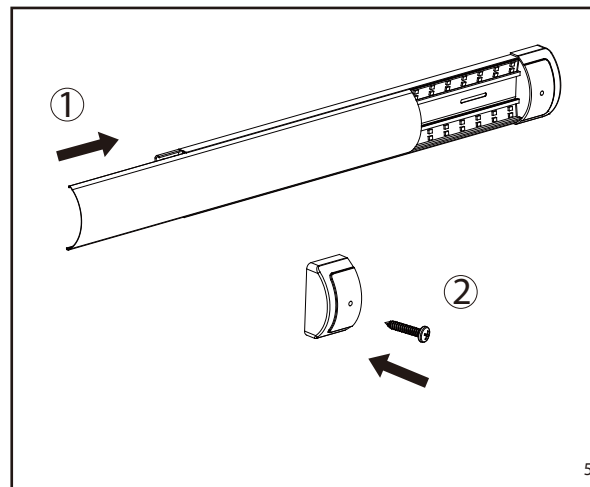
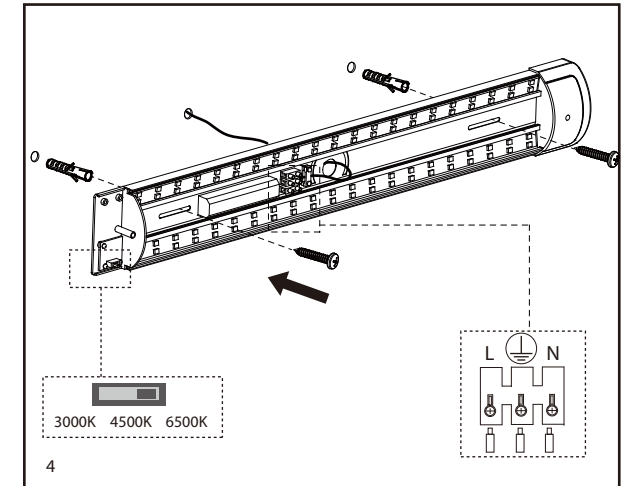
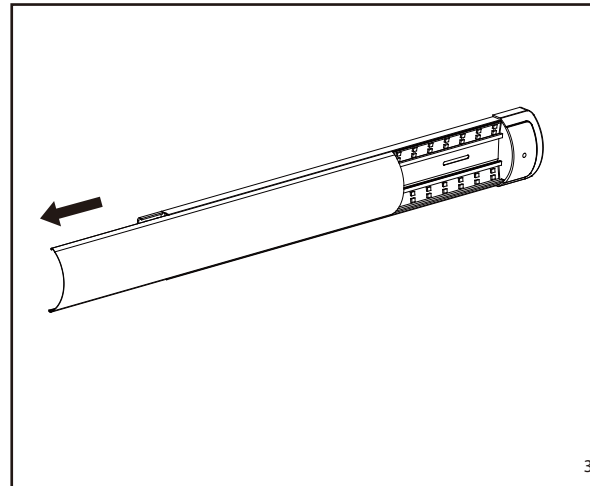
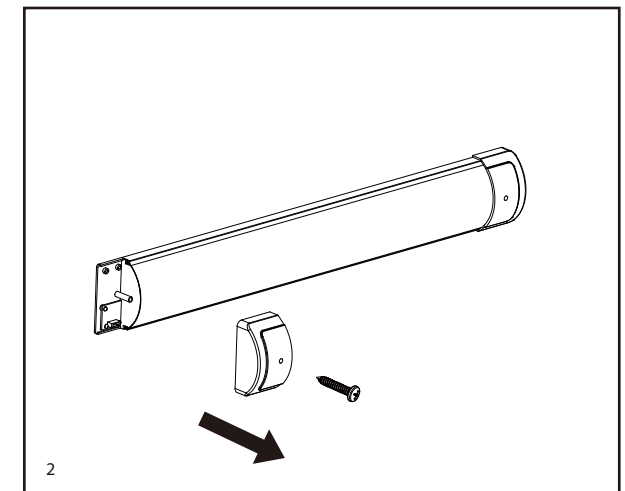
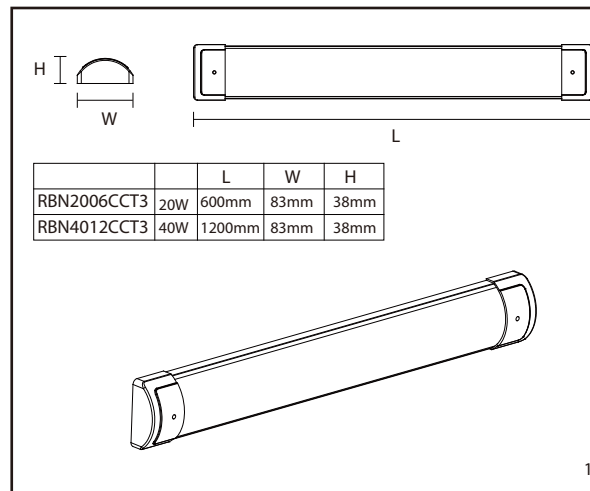
**Product technical information and specification may change over time without prior notification. For the latest technical information please visit our web site [www.ledgrouprobust.com](http://www.ledgrouprobust.com) or [robustdirect.com](http://robustdirect.com)**

-20°C < Ta < +40°C, 220-240V ~ 50/60Hz, Class I, IP20  
Luminaire is non-dimmable.  
Suitable for mounting on a normally flammable surface.

### Installation

1. Ensure mains supply is switched off before commencing work.
2. Remove the cover at the CCT switch end by removing the screw. Remove the diffuser.
3. Mark appropriate fixing points on wall or ceiling; check that fixings will not impinge on concealed cables or pipes before drilling holes.
4. Connect supply cables to fitting terminal: Brown/Live to L, Neutral/Blue to N and Earth/Green Yellow to E.
5. The default setting for the fitting is 3000K. Move switch to select 4500K or 6500K.  
**WARNING: DO NOT CHANGE CCT WHEN THE FITTING IS ON!!**
6. Refit the diffuser and the end cover. Ensure it is secure.

This product has no user serviceable parts. If any part is damaged, disconnect from mains and discontinue use



**The Installation must be carried out by a qualified electrician**

LED Group Australasia  
9/210 Queensport Road North  
Murarrie  
QLD 4172  
Australia

Tel: +61 7 3890 5444  
Fax: +61 7 3890 4777  
Email: [purchases@ledgrouprobust.com.au](mailto:purchases@ledgrouprobust.com.au)  
Website: [www.ledgrouprobust.com.au](http://www.ledgrouprobust.com.au)

