

# ROBUS<sup>®</sup>

QUALITY PRODUCTS BY LED GROUP

# IP66 110° SQUARE PIR, 3 WIRE R110PIR3W-24

Please read instruction before commencing installation and retain for future reference.

## Specification:

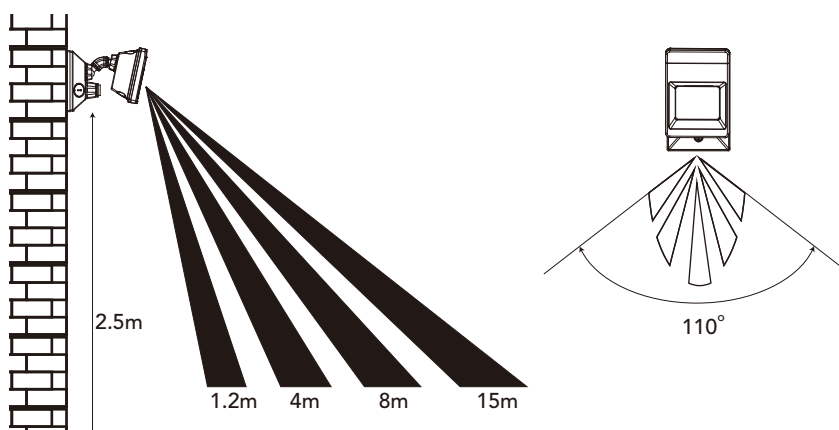
A PIR (Passive Infra Red) sensing device which continuously scans a preset operating zone and immediately switches the lamp on when it detects movement in that area.

Supply:	220-240V 50/60Hz
Electrical Protection:	Class II
Output load:	Max. 2000W incandescent lamp, 500W fluorescent, 300W LED
Operating Temp:	-5°C < ta < 40°C
Dimensions(mm):	155(L) X 115(W) X 75(H)
Weight:	0.3Kg
Detection range:	Approx. 110° (horizontal), Max. 15 meters adjustable and sensitivity adjustable
Time Delay:	From (10±5) seconds to (20±3) minutes adjustable
Light Level Adjustment:	Daylight to night adjustable
IP:	IP66
Warranty:	5 years
Terminals suitable for cable sizes from 0.75mm <sup>2</sup> to 1.5mm <sup>2</sup> .	
Suitable for mounting on normally flammable surface	

### Note:

Product technical information and specification may change over time without prior notification. For the latest technical information please visit our web site [www.ledgrouprobust.com](http://www.ledgrouprobust.com) or [www.robustdirect.com](http://www.robustdirect.com)

## Features:



### Installation considerations:

- 1 Mount luminaire on solid surface.
- 2 Optimal mounting height is 1.8 to 2.5 meters (6 to 8ft) above ground level.
- 3 Before selecting mounting location please note that movement across the sensor is more effective than movement directly toward or away from the sensor
- 4 To avoid nuisance triggering, the sensor should be directed away from heat sources.
- 5 Do not aim the sensor towards the sun or reflective surfaces

## Information for the Product user

1. Please note the requirement to dispose of Waste Electrical & Electronic Equipment separately from household waste (WEEE marked with crossed out wheelie bin symbol).
2. Please consider your role in contributing to re-use and recycling by returning this product at end of life to a collection centre for waste electrical equipment or a Civic Amenity site, or to a retail outlet from which you are purchasing a replacement.
3. This equipment may contain substances that are hazardous to health and the environment if disposed of carelessly. It is important that it is separated from normal household waste and recycled in the WEEE chain
4. The "crossed out wheelie bin symbol" on a product indicates this equipment must not be disposed of in normal household waste, but should be disposed of according to local WEEE regulations

**The Installation must be carried out by an electrician**

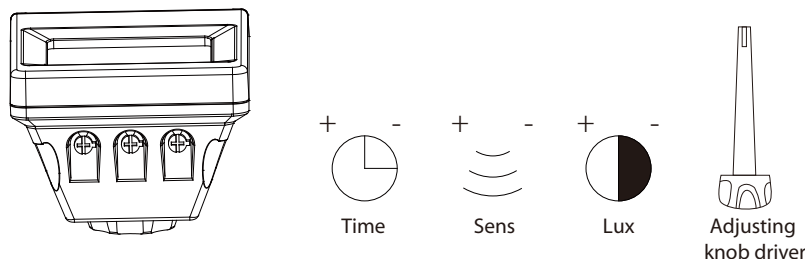
### LED Group

Western Retail Park  
Nangor Road  
Dublin 12  
Ireland  
Issue 1 090414

Tel: +353 1 7099000  
Fax: +353 1 7099060  
Email: [info@led.ie](mailto:info@led.ie)  
Website: [www.led.ie](http://www.led.ie)



## Features:



### Adjusting the Lux(Light) control level:

The Lux control is a built-in sensing device (photocell) that detects daylight and darkness.

( + ) position denotes the light can be turned on during daylight and night.

( - ) position denotes the light can be turned only at night.

It is possible to select desirable operating lux level by adjusting the LUX knob

### Adjusting the Duration Time:

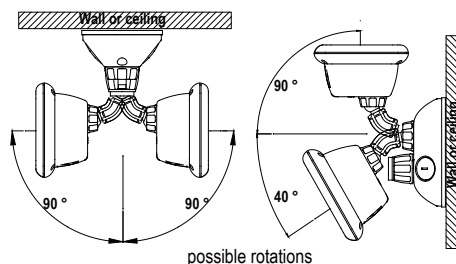
The duration time is "the length of time that light remains 'On' after activation. The duration time can be adjusted from (10±5) seconds to (20±3) minutes. Rotating the TIME knob from (+) to (-) will reduce the duration time. Note: Once the light has been triggered by the PIR all subsequent detection will start the timed period from the beginning

### Adjusting the sensitivity:

The sensitivity means the Maximum distance which the PIR Sensor can be triggered by movement. Turning the SENS knob anti-clockwise will decrease the sensitivity.

### WALL AND CEILING MOUNTING AND HEAD ADJUSTMENT

The sensor is design to suitable for mounting on either wall or ceiling. By adjusting the nuts and connecting arm, you can have the sensor in any direction as required.



## Installation:

**! Electrical products can cause death or injury, or damage to property. If in any doubt about the installation or use of this product, consult a competent electrician.**

1 Ensure mains supply is switched off before undertaking installation or any maintenance work

2 This PIR device must be mounted directly to the wall.

**NOTE:** 1. Avoid area where a shadow may fall on the sensor. Do not allow the transparent Lens of the sensor to become dirty.

2. Do not allow artificial light to active the sensor. Artificial lighting may false trigger the sensor

3 Mark appropriate fixing points on wall or ceiling and drill holes. Before drilling holes establish the direction of buried cables and other building services so that damage to concealed services can be avoided.

4 Feed expanding nut into holes on the wall or ceiling.

5 Connect supply and output lamp cables to terminal block. Supply brown /red to L, supply and output wire to blue / black to N and output lamp live wire S.

6 Attach the gasket and the PIR device in the wall or ceiling by the screws

**The Installation must be carried out by an electrician**

**LED Group**  
Western Retail Park  
Nangor Road  
Dublin 12  
Ireland

Tel: +353 1 7099000  
Fax: +353 1 7099060  
Email: info@led.ie  
Website: www.led.ie



## Installation:

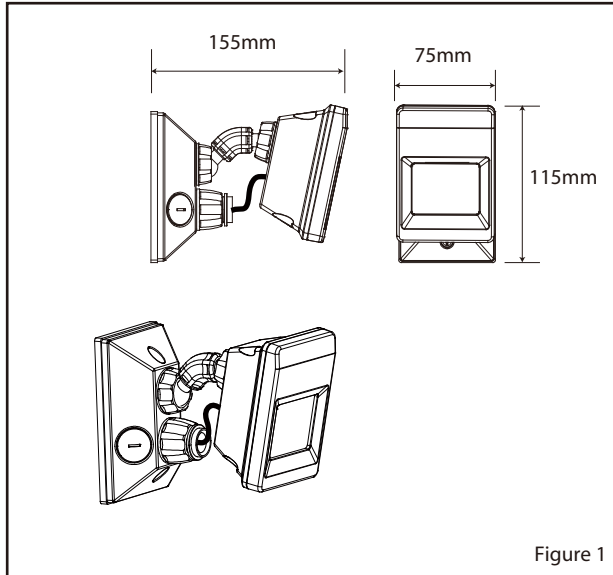


Figure 1

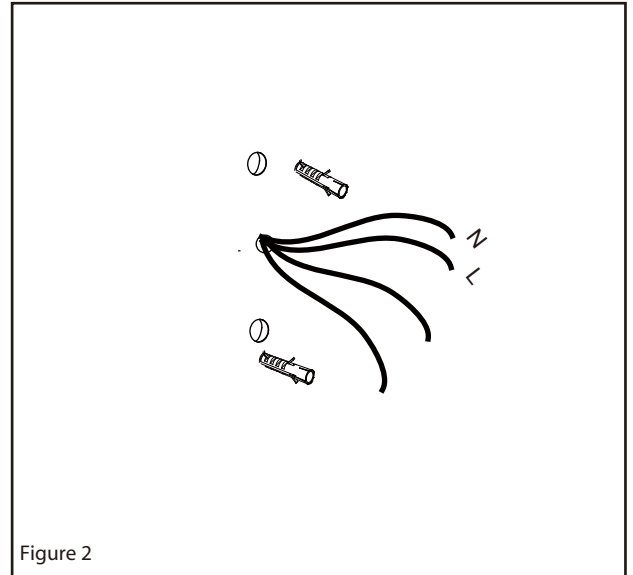


Figure 2

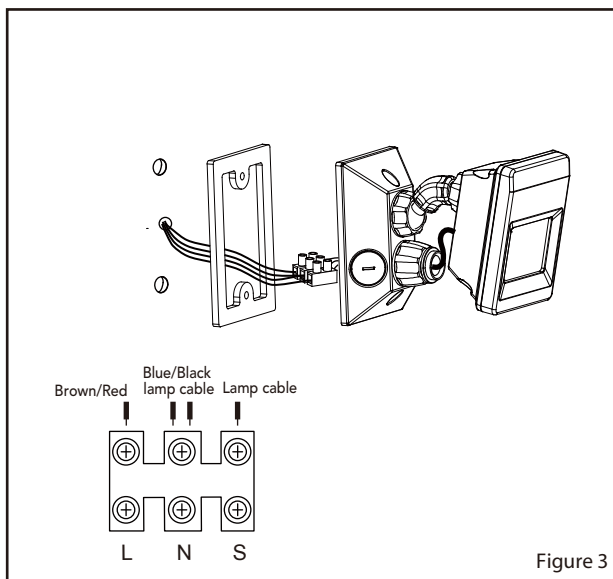


Figure 3

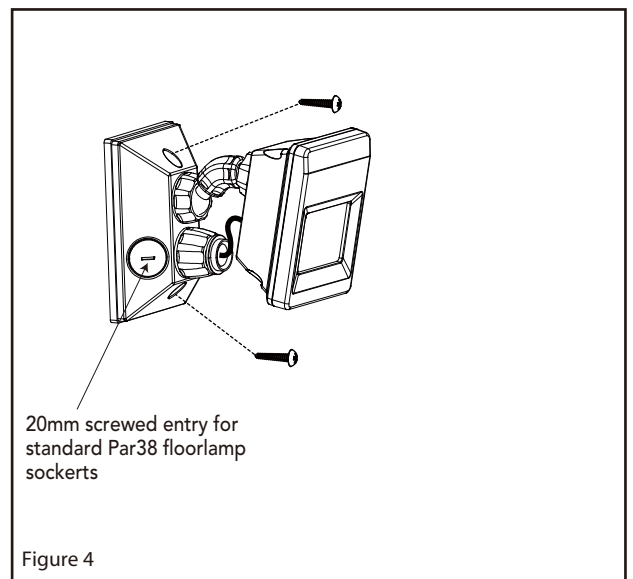


Figure 4

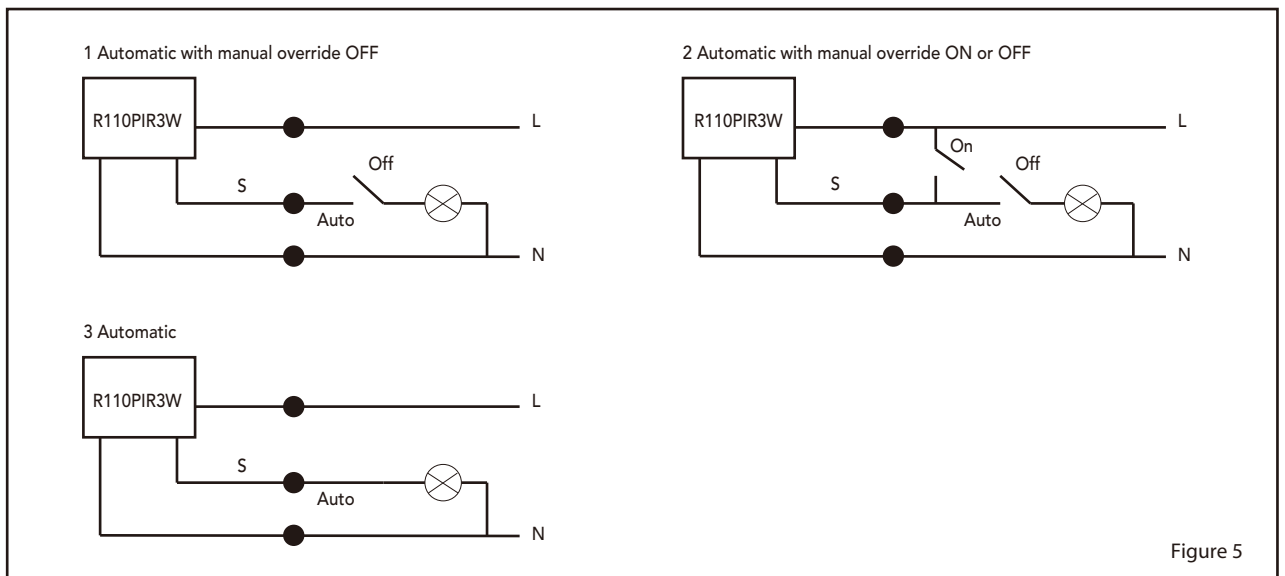


Figure 5

**The Installation must be carried out by an electrician**

**LED Group**  
Western Retail Park  
Nangor Road  
Dublin 12  
Ireland

Tel: +353 1 7099000  
Fax: +353 1 7099060  
Email: info@led.ie  
Website: www.led.ie

